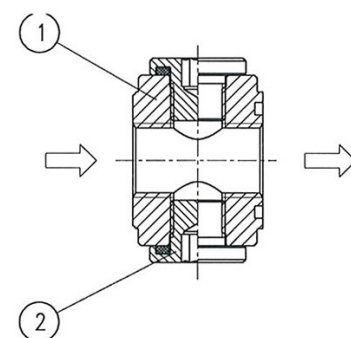


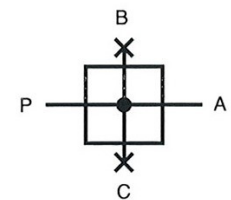
port size	G 1/4
description	air distribution block
mounting	arbitrary
supply pressure	Pe max. 16 bar
media and ambient temperature	-10 to 60 °C (oth. temperature ranges available upon request)
nominal discharge	Qn 2700 l/min (bei Pe = 6 bar, delta P = 1 bar)
discharge P-B G 1/8	Q 1300 l/min (bei Pe = 6 bar, delta P = 1 bar)
discharge P-C G 1/8	Q 1300 l/min (bei Pe = 6 bar, delta P = 1 bar)
fixing	install in pipe line
weight	0,090 kg





replacement parts

no	description	material	order-no.
1	body	zinc - Z 410	
2	blanking plug Z.01-2	Ms - NBR	

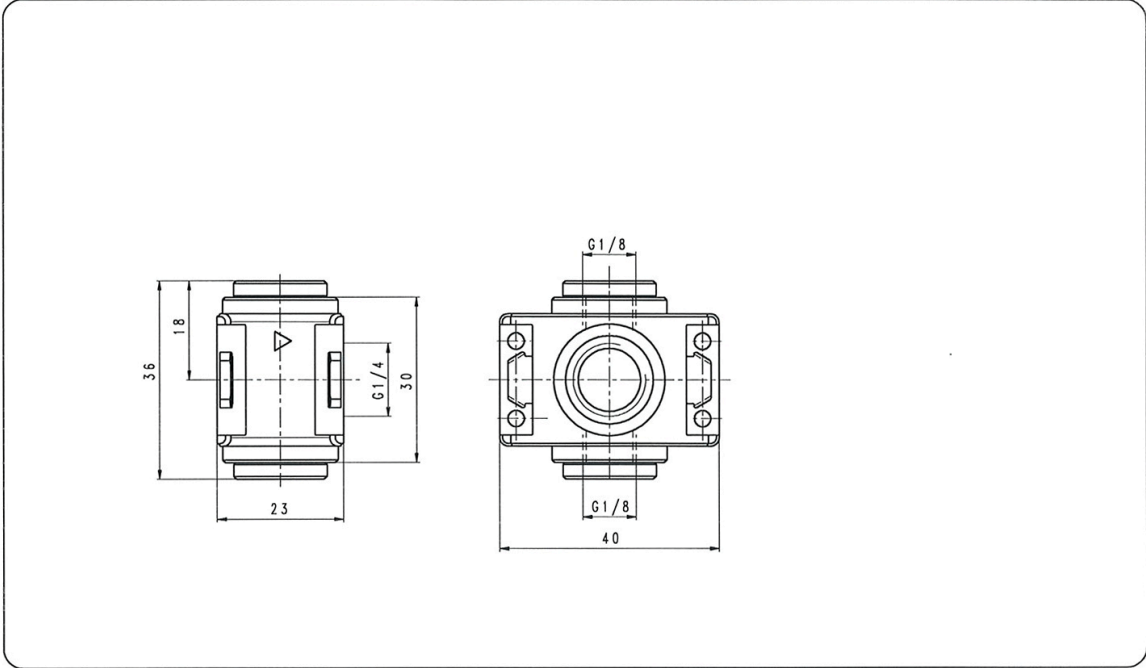


port size	
1	G 1/4
	connection with G 1/8 possible
options	
2	

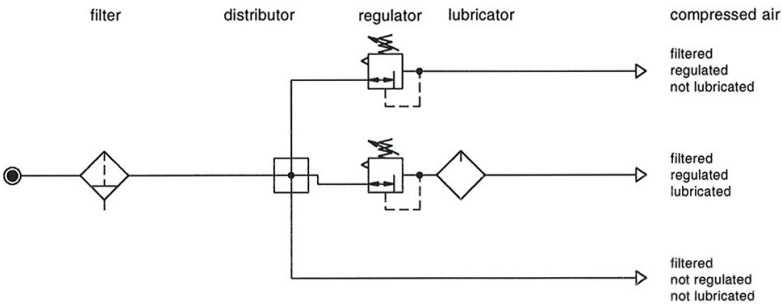
application information

- easy block assembly for components to be connected in series
- interlocking of several individual devices requires coupling kit(s) KP 05 (Pe max. 12 bar)

dimensions (mm)



various application



various application

